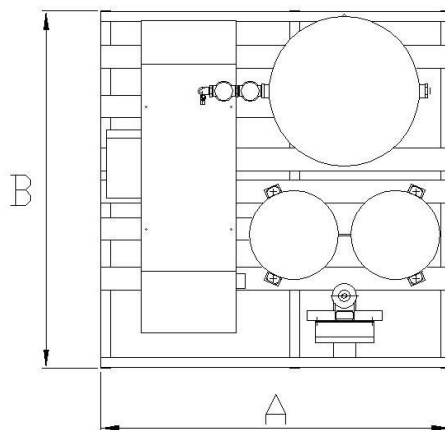
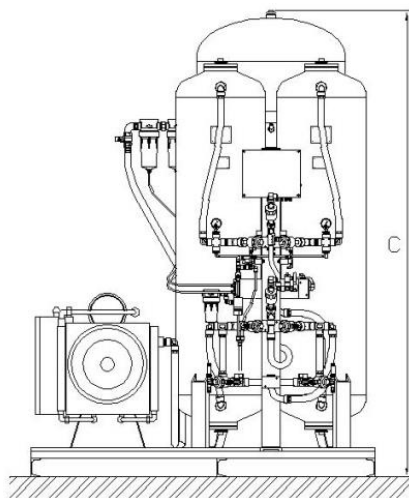


Type	Capacity per hour		Voltage (V)	Power compressor (kW)	Power PLC (V)	Fuse (A)	Plug (poles)	Phase	Noise (dB)	N ₂ receiver (Ltr)	N ₂ tube (mm)	No. of skids	Dimensions			Weight (kg)
	99% N ₂ (Nm ³)	99,5% N ₂ (Nm ³)											A Width (mm)	B Depth (mm)	C Height (mm)	
UP1-4	4	3,2	400	1,5	230	16	5	3	64	200	12	1	1150	1150	1800	250
UP1-6	6	4,8	400	2,2	230	16	5	3	70	200	12	1	1150	1150	1800	375
UP1-8	8	6,4	400	3,0	230	16	5	3	70	200	12	1	1150	1150	1800	450
UP1-12	12	9,6	400	4,0	230	16	5	3	71	200	12	1	1300	1350	1800	600
UP1-17	17	13,6	400	4,0	230	16	5	3	71	270	12	1	1300	1350	1900	700
UP1-22	22	17,6	400	5,5	230	16	5	3	71	270	32	1	1400	1400	1900	770
UP1-33	33	26,4	400	7,5	230	25	5	3	75	500	32	1	1500	1600	2250	895
UP1-48	48	38,4	400	11,0	230	32	5	3	75	500	32	1	1600	1600	2310	1066
UP1-65	65	52,0	400	15,0	230	63	Direct	3	79	1000	32	1	1850	1900	2510	1700
UP1-93	93	74,4	400	22,0	230	63	Direct	3	79	1000	32	1	2000	1925	2510	2400
UP1-140	140	112,0	400	30,0	230	63	Direct	3	84	1000	50	3	1550	2150	2510	2095

Rev. 19-01 - Mentioned dimensions, weights and other specifications are approximate. No rights can be derived from this document.



www.ULO.technology
+7 988 360 31 31